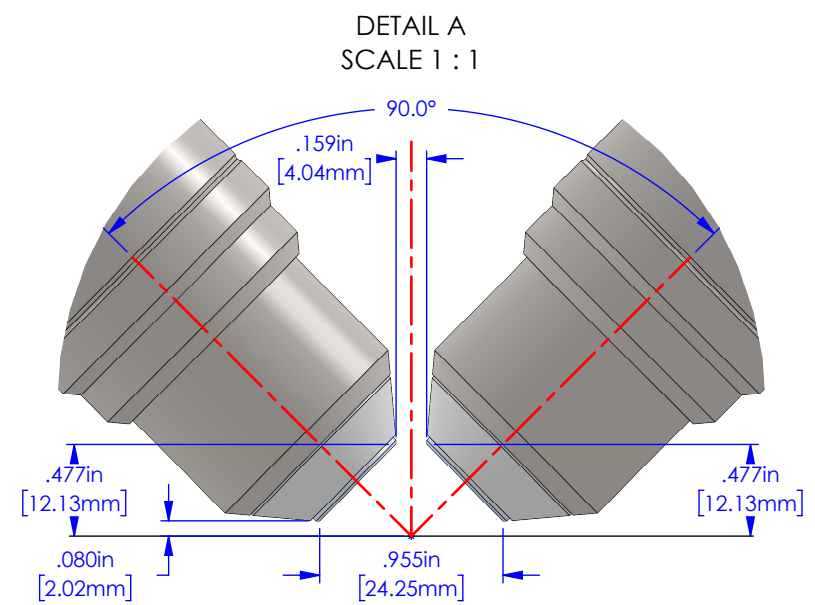
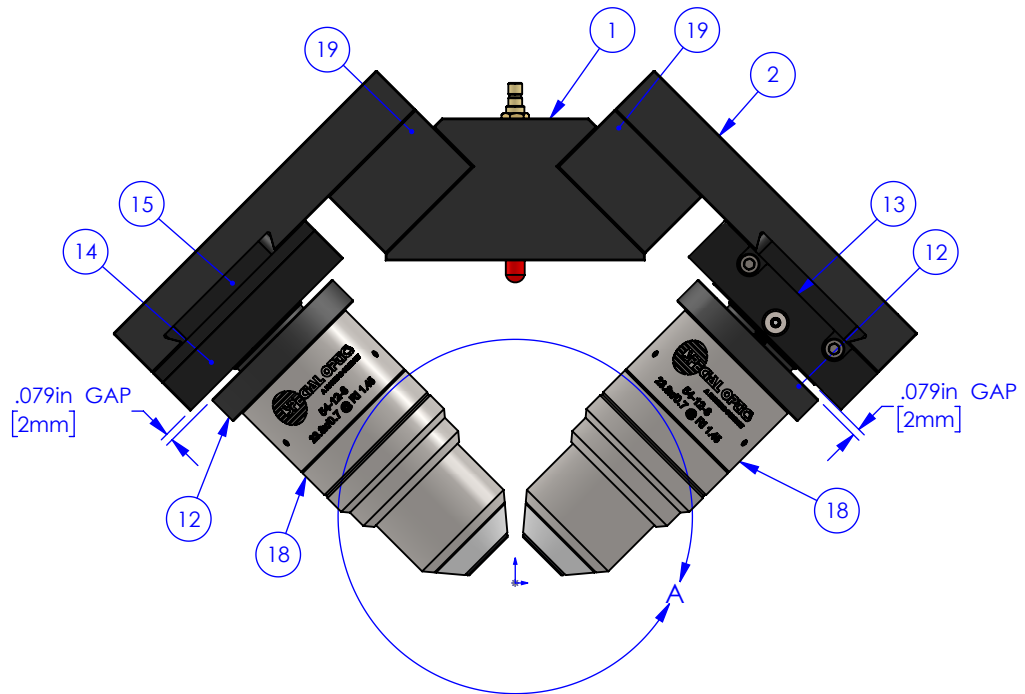



\\SERVIO1\Shared\Design\RightAngleMicroscope\RAO-ADJ MOUNT ASSEMBLY\RAO-ADJ MOUNT ASSEMBLY - Config #9 Objectives 54-12-8 and 54-12-8

OBJECTIVE DRAWING 54-12-8 with 54-12-8



ITEM NO.	PART NUMBER	QTY.
1	RAO-ADJ-01 - BODY	1
2	RAO-ADJ-02 - ARM	2
12	RAO-0004L - LARGER O.D. JAM BUSHING ASSEMBLY	2
13	PZMAG DOVETAIL LP ASSEMBLY	1
14	DLPS-02 - LP REPLACEMENT SPACER	1
15	PZMAG-RAO-M25 1003D DOVETAIL ADAPTER PLATE	1
18	1-29478 (54-12-8 at 480-1000nm) REV A Objective	2
19	RAO-ADJ-10 - .843 T - 54-12-8 with LP OBJECTIVE SPACER	2

 PROPRIETARY AND CONFIDENTIAL THE INFORMATION CONTAINED IN THIS DRAWING IS THE SOLE PROPERTY OF APPLIED SCIENTIFIC INSTRUMENTATION. ANY REPRODUCTION IN PART OR AS A WHOLE WITHOUT THE WRITTEN PERMISSION OF APPLIED SCIENTIFIC INSTRUMENTATION IS PROHIBITED.	APPLIED SCIENTIFIC INSTRUMENTATION 29391 W ENID RD EUGENE, OR 97402-9533 PHONE: (541)461-8181 FAX: (541)461-4018		UNLESS OTHERWISE SPECIFIED DIMENSIONS ARE IN INCHES .xx ± .01 .xxx ± .005 .xxxx ± .0002 FRACTIONS ± 1/32 ANGLES ± 1°		DESCRIPTION ASI OBJECTIVE 54-10-8 PAIRED WITH ASI OBJECTIVE 54-10-8	
	DRAWN BY/DATE M.ANTHONY 5-2-19	CHECKED BY/DATE JON.D. 5-2-19	SCALE 1:2	REV 0	MATERIAL -	DRAWING # 54-12-8 & 54-12-8.SLDDRW