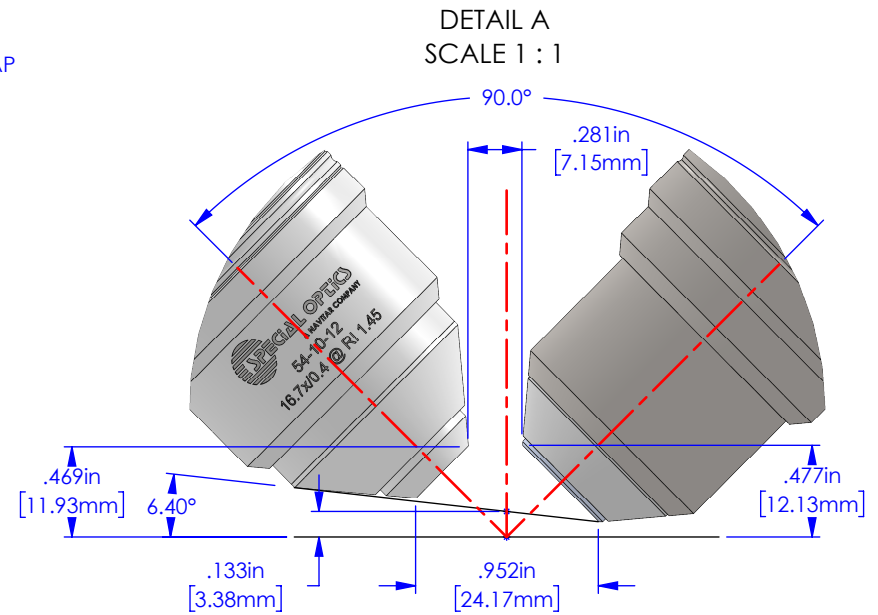
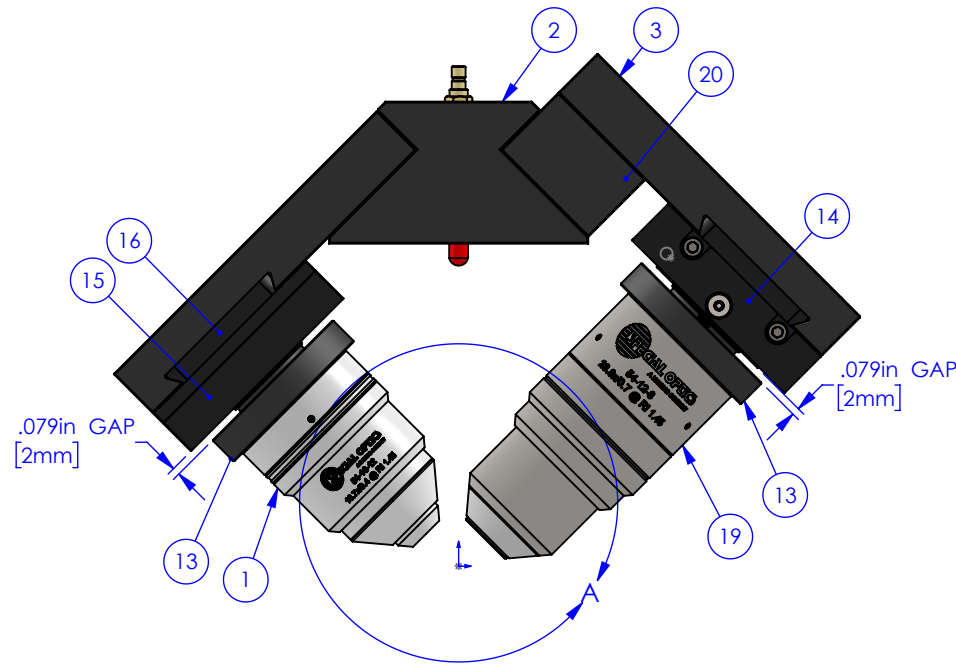



\\SERVIO1\Shared\Design\RightAngleMicroscope\RAO-ADJ MOUNT ASSEMBLY\RAO-ADJ MOUNT ASSEMBLY - Config #8 Objectives 54-10-12 and 54-12-8

OBJECTIVE DRAWING 54-10-12 with 54-12-8



ITEM NO.	PART NUMBER	QTY.
1	Objective 1-26990 (54-10-12 480-910nm) REV C	1
2	RAO-ADJ-01 - BODY	1
3	RAO-ADJ-02 - ARM	2
13	RAO-0004L - LARGER O.D. JAM BUSHING ASSEMBLY	2
14	PZMAG DOVETAIL LP ASSEMBLY	1
15	DLPS-02 - LP REPLACEMENT SPACER	1
16	PZMAG-RAO-M25 1003D DOVETAIL ADAPTER PLATE	1
19	1-29478 (54-12-8 at 480-1000nm) REV A Objective	1
20	RAO-ADJ-10 - .843 T - 54-12-8 with LP OBJECTIVE SPACER	1

	PROPRIETARY AND CONFIDENTIAL THE INFORMATION CONTAINED IN THIS DRAWING IS THE SOLE PROPERTY OF APPLIED SCIENTIFIC INSTRUMENTATION. ANY REPRODUCTION IN PART OR AS A WHOLE WITHOUT THE WRITTEN PERMISSION OF APPLIED SCIENTIFIC INSTRUMENTATION IS PROHIBITED.	APPLIED SCIENTIFIC INSTRUMENTATION 29391 W ENID RD EUGENE, OR 97402-9533 PHONE: (541)461-8181 FAX: (541)461-4018		UNLESS OTHERWISE SPECIFIED DIMENSIONS ARE IN INCHES .xx ± .01 .xxx ± .005 .xxxx ± .0002 FRACTIONS ± 1/32 ANGLES ± 1°		DESCRIPTION ASI OBJECTIVE 54-10-12 PAIRED WITH ASI OBJECTIVE 54-12-8	
		DRAWN BY/DATE M.ANTHONY 5-2-2019	CHECKED BY/DATE JON.D. 5-2-2019	SCALE 1:2	REV 0	MATERIAL -	DRAWING # 54-10-12 & 54-12-8.SLDDRW

5

4

3

2

1