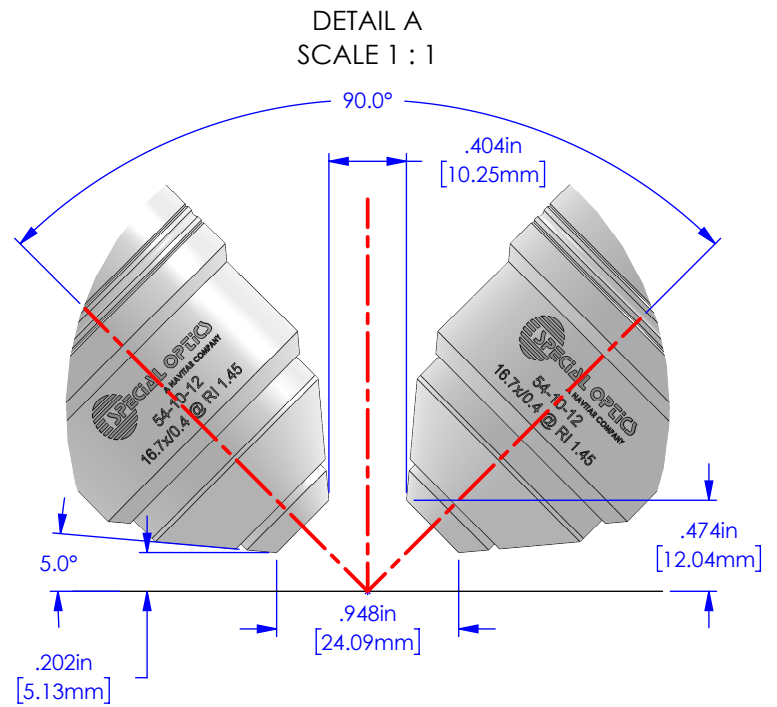
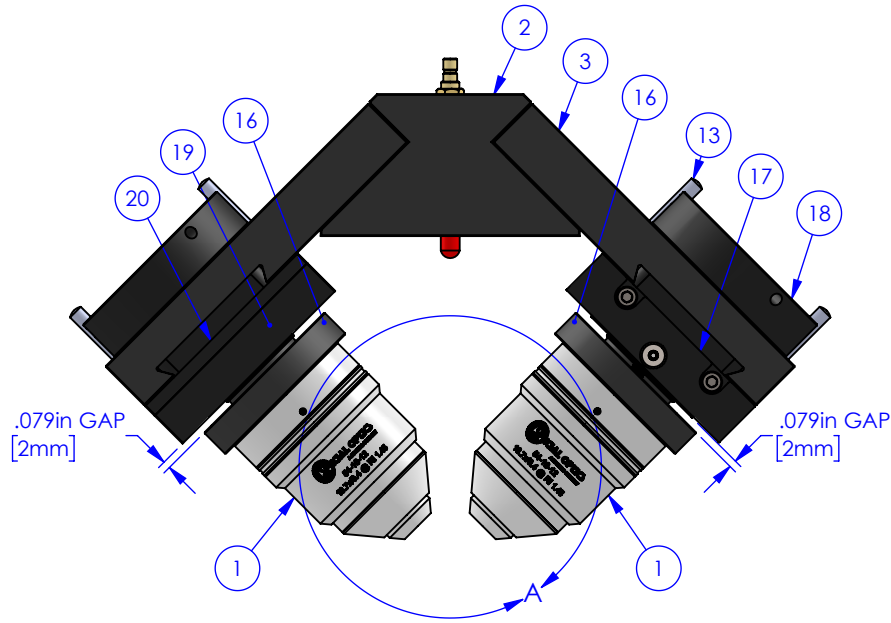



\\SERVIO1\Shared\Design\RightAngleMicroscope\RAO-ADJ MOUNT ASSEMBLY - Config #1 Objectives 54-10-12 and 54-10-12

OBJECTIVE DRAWING 54-10-12 WITH 54-10-12



ITEM NO.	PART NUMBER	QTY.
1	Objective 1-26990 (54-10-12 480-910nm) REV C	2
2	RAO-ADJ-01 - BODY	1
3	RAO-ADJ-02 - ARM	2
13	M4 Dowel Pin, 24mm L, Alloy Steel, McMasterCarr #91595A173	4
14	M8 Dowel Pin, 20mm L, 18-8 S.S., McMasterCarr #91585A796	4
15	M8x1.25 SHCS, 14mm L, 18-8 S.S., McMasterCarr #91292A150	4
16	RAO-0004L - LARGER O.D. JAM BUSHING ASSEMBLY	2
17	PZMAG DOVETAIL LP ASSEMBLY	1
18	C60-RAO	2
19	DLPS-02 - LP REPLACEMENT SPACER	1
20	PZMAG-RAO-M25-1003D DOVETAIL ADAPTER PLATE	1

	PROPRIETARY AND CONFIDENTIAL THE INFORMATION CONTAINED IN THIS DRAWING IS THE SOLE PROPERTY OF APPLIED SCIENTIFIC INSTRUMENTATION. ANY REPRODUCTION IN PART OR AS A WHOLE WITHOUT THE WRITTEN PERMISSION OF APPLIED SCIENTIFIC INSTRUMENTATION IS PROHIBITED.		APPLIED SCIENTIFIC INSTRUMENTATION 29391 W ENID RD EUGENE, OR 97402-9533 PHONE: (541)461-8181 FAX: (541)461-4018		UNLESS OTHERWISE SPECIFIED DIMENSIONS ARE IN INCHES .xx ± .01 .xxx ± .005 .xxxx ± .0002 FRACTIONS ± 1/32 ANGLES ± 1°		DESCRIPTION <h3>DUAL 54-10-12 OBJECTIVES</h3>	
	DRAWN BY/DATE M.ANTHONY 6-10-19	CHECKED BY/DATE JON.D. 6-10-19	SCALE 1:2	REV 0	MATERIAL -	DRAWING # RAO-ADJ MOUNT ASSEMBLY - CONFIG 1.SLDDRW		

5

4

3

2

1