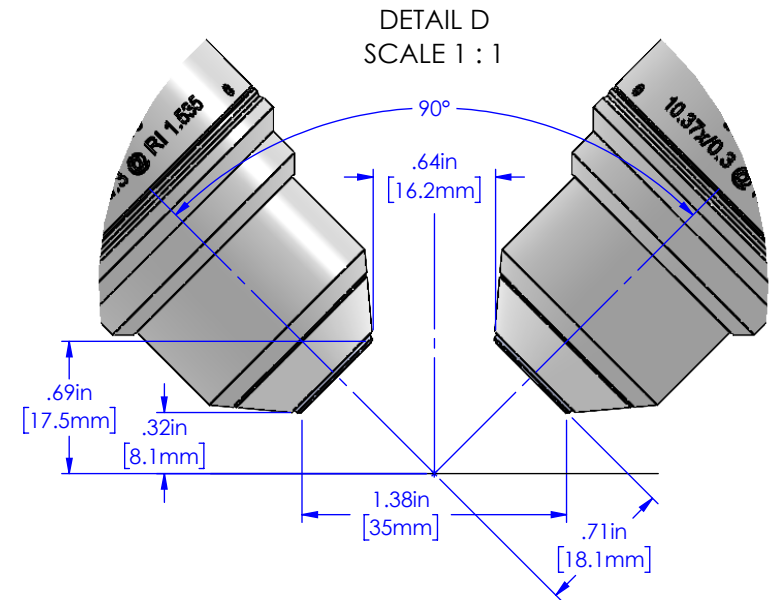
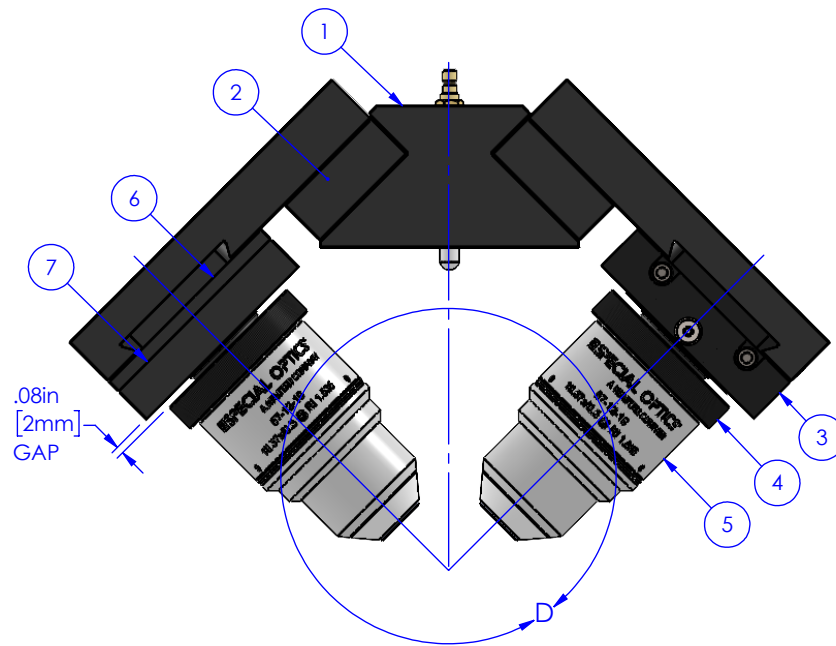



OBJECTIVE DRAWING 57-12-19 with 57-12-19

THIS DRAWING AND ALL DATA INCLUDED IS THE PROPERTY OF APPLIED SCIENTIFIC INSTRUMENTATION AND THE INFORMATION CONTAINED HEREIN IS FOR GENERAL PRESENTATION PURPOSES ONLY AND MAY CHANGE AT ANY TIME. CONTACT ASI OR A FACTORY REPRESENTATIVE FOR PROJECT SPECIFIC ENGINEERING.



ITEM NO.	PART NUMBER	DESCRIPTION	QTY.
1	RAO-ADJ	Modular SPIM objective pair 90 degree bracket with dovetail fittings and white LEDs	1
2	RAO-ADJ-06	RAO-ADJ spacer .527" thick, use with 75mm parfocal objectives and RAO-0004 bushing	2
3	OBLPA	Transverse objective linear positioner assembly (includes male dovetail)	1
4	RAO-0004L - OBJECTIVE BUSHING	Objective bushing for M25 objectives, with Teflon inserts. Extra wide. 8mm thickness. Adapts from M25 to M25, M26, RMS, or M32 (M25 standard)	2
5	57-12-19 OBJECTIVE	Multi-immersion objective, 18.1mm WD, NA 0.3 @ RI 1.52, EFL 19.4mm @ RI 1.52. Designed RI range 1.33 to 1.56, 75mm parfocal distance, M25 threads. Standard wavelength coating 400-900nm.	2
6	DVOBJ	Dovetail (male) for use with fixed SPIM spacers and through-hole, 3.5mm thick	1
7	DLPS-02	Spacer to replace transverse linear positioner (OBLPA) on other side of SPIM head. Use with DVOBJ, M25 threads, 10.5mm thick	1

	PROPRIETARY AND CONFIDENTIAL THE INFORMATION CONTAINED IN THIS DRAWING IS THE SOLE PROPERTY OF APPLIED SCIENTIFIC INSTRUMENTATION. ANY REPRODUCTION IN PART OR AS A WHOLE WITHOUT THE WRITTEN PERMISSION OF APPLIED SCIENTIFIC INSTRUMENTATION IS PROHIBITED.	APPLIED SCIENTIFIC INSTRUMENTATION 29391 W ENID RD EUGENE, OR 97402-9533 PHONE: (541)461-8181 FAX: (541)461-4018		UNLESS OTHERWISE SPECIFIED DIMENSIONS ARE IN INCHES .xx ± .01 .xxx ± .005 .xxxx ± .0002 FRACTIONS ± 1/32 ANGLES ± 1°		DESCRIPTION ASI OBJECTIVE 57-12-19 PAIRED WITH ASI OBJECTIVE 57-12-19	
		DRAWN BY/DATE M.ANTHONY 3/10/23	CHECKED BY/DATE J.DANIELS 3/10/23	SCALE 1:2	REV -	MATERIAL -	DRAWING # 57-12-19 & 57-12-19

5

4

3

2

1