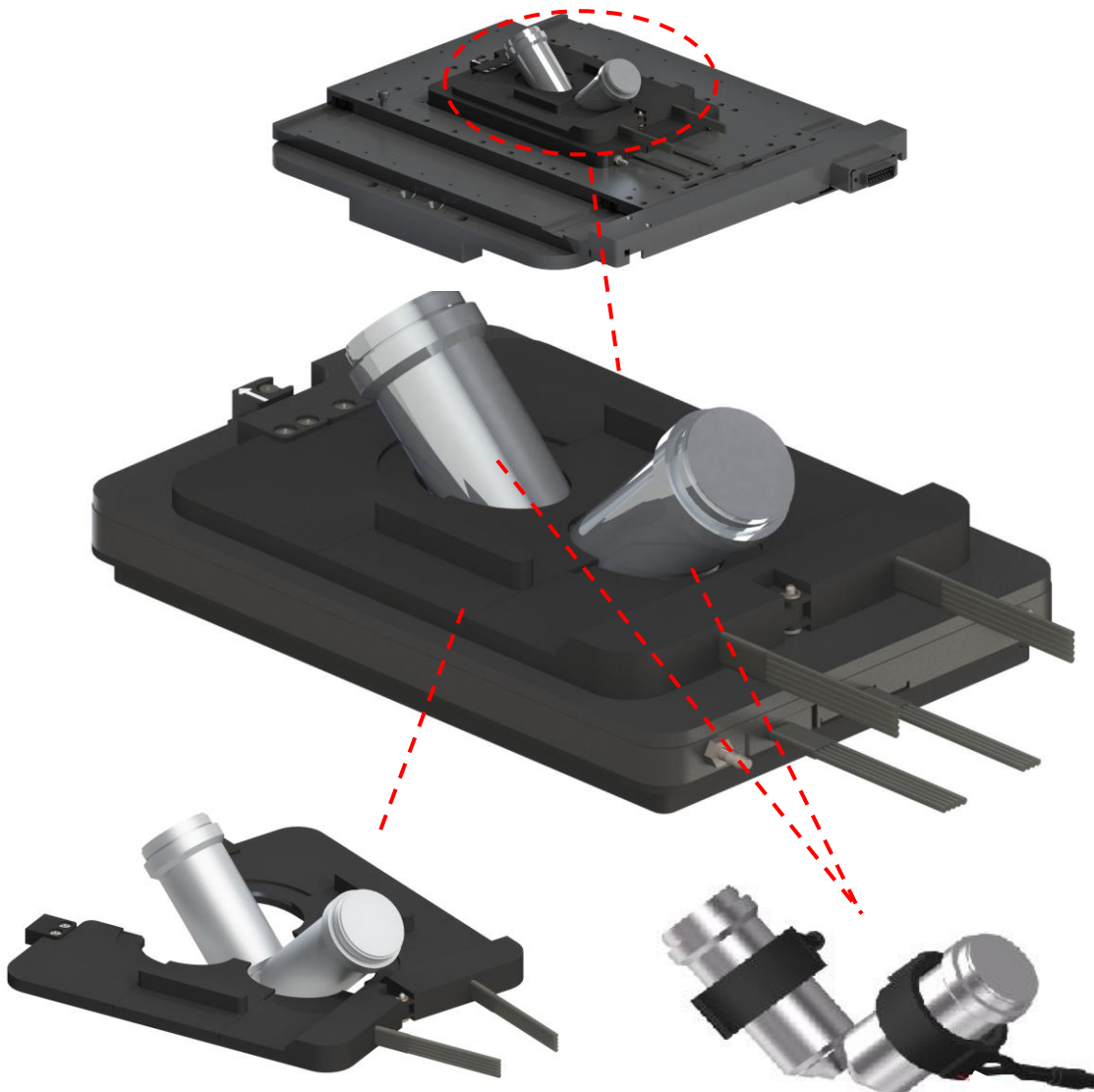


DISPIM Chamber

- For ASI diSPIM light-sheet microscope
- Sample temperature : 30~40°C
- Dimension : W160 x D110 x H29 mm
- With Controller maintains temperature and CO2 for cell culturing

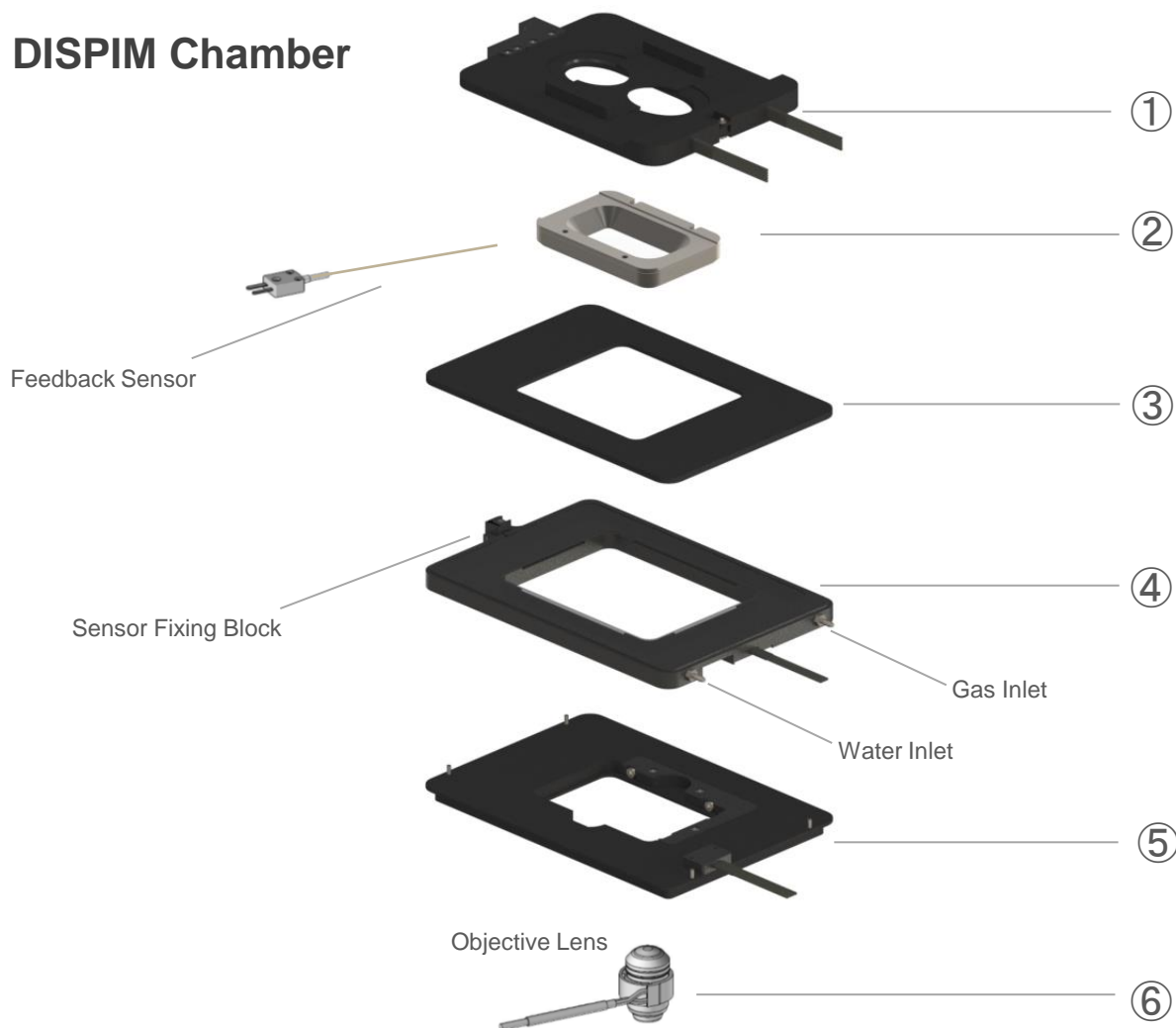


Top Heater is open-close design for objective setting

Lens Heater (rubber Heater)

To prevent objective become heat-sink during imaging. This item is included the system as standard.

DISPIM Chamber



No.	Name	Description
①	Top Heater	<ul style="list-style-type: none"> Prevents the leakage of warm air, humidity and gas
②	ASI dish holder	<ul style="list-style-type: none"> ASI original holder
③	Spacer	<ul style="list-style-type: none"> Magnet plate for Top Heater
④	Bath unit	<ul style="list-style-type: none"> Water evaporates for humidification by Bath Heater
⑤	Stage Heater	<ul style="list-style-type: none"> Sample temperature control Prevents heat from escaping to the stage
⑥	Lens Heater	<ul style="list-style-type: none"> Prevents heat from escaping to the objective lens



Reference Setting Value of each Heaters are indicated in the seal at the front of controller.